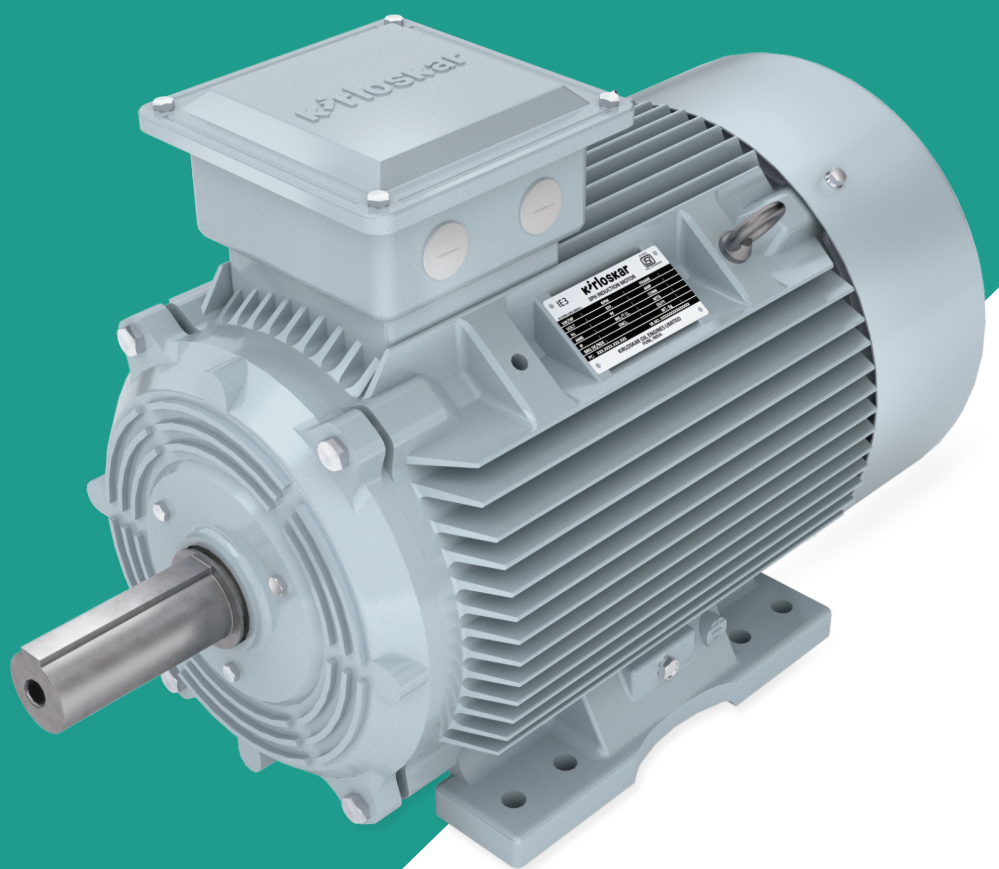


Introducing
IE3 range

PRICE LIST

LOW VOLTAGE 3-PHASE INDUCTION MOTORS

PL-KM-007 w.e.f 15th October 2023



kirloskar
motors

Performance Beyond Expectations

KIRLOSKAR OIL ENGINES LIMITED

A Kirloskar Group Company

Contents:

1	IE3 – Premium Efficiency: Cast iron	1
2	IE2 – High Efficiency: Aluminium series	2
3	IE2 – High Efficiency: Cast iron	3-4
4	Special Features	5
5	IE2 – High Efficiency: Fire fighting series	6
6	IE3 – Premium Efficiency: Compressor Duty Motors	7
7	IE2 – High Efficiency: Compressor Duty Motors	8-9



SQUIRREL CAGE 3-PHASE INDUCTION MOTORS: IE3 - PREMIUM EFFICIENCY



Voltage	: 415 V +/- 10%	Ambient	: 50°C
Frequency	: 50 Hz +/- 5%	Temp. Rise	: 70°C
Combined Variation	: 10%	Duty	: S1
Insulation Class / Thermal Class	: F/B	Efficiency Class	: IE3 as per 60034-30-1:2014, IS 12615:2018

Method of Cooling: TEFC / IC 411 **Mounting :** IMB3 - Horizontal Foot Mounting* **Altitude :** ≤1000m above MSL

2 Pole / 3000 RPM				
Product Codes	kW	HP	Frame	List Price ₹
KM3.5T50.AAC.TSS.B03	5.50	7.50	KM132S	59,000
KM3.7T50.AAC.TSS.B03	7.50	10.00	KM132S	61,000
KM3.9T30.ABC.TSS.B03	9.30	12.50	KM160M	1,00,000
KM3.11T0.ABC.TSS.B03	11	15	KM160M	1,11,500
KM3.15T0.ABC.TSS.B03	15	20	KM160M	1,19,000
KM3.18T5.ALC.TSS.B03	18.5	25	KM160L	1,53,000
KM3.22T0.ACC.TSS.B03	22	30	KM180M	1,69,500
KM3.30T0.ANC.TSS.B03	30	40	KM200L	2,63,000
KM3.37T0.ANC.TSS.B03	37	50	KM200L	3,22,000
KM3.45T0.AQC.TSS.B03	45	60	KM225M	4,07,000

4 Pole / 1500 RPM				
Product Codes	kW	HP	Frame	List Price ₹
KM3.5T50.BAC.TSS.B03	5.50	7.50	KM132S	61,600
KM3.7T50.BKC.TSS.B03	7.50	10.00	KM132M	67,600
KM3.9T30.BBC.TSS.B03	9.30	12.50	KM160M	1,08,600
KM3.11T0.BBC.TSS.B03	11	15	KM160M	1,12,000
KM3.15T0.BLC.TSS.B03	15	20	KM160L	1,39,500
KM3.18T5.BCC.TSS.B03	18.5	25	KM180M	1,75,000
KM3.22T0.BMC.TSS.B03	22	30	KM180L	1,91,500
KM3.30T0.BNC.TSS.B03	30	40	KM200L	2,67,000
KM3.37T0.BPC.TSS.B03	37	50	KM225S	3,25,000
KM3.45T0.BQC.TSS.B03	45	60	KM225M	3,95,000

6 Pole / 1000 RPM				
Product Codes	kW	HP	Frame	List Price ₹
KM3.3T70.CAC.TSS.B03	3.70	5.00	KM132S	64,500
KM3.5T50.CKC.TSS.B03	5.50	7.50	KM132M	78,400
KM3.7T50.CBC.TSS.B03	7.50	10.00	KM160M	1,13,600
KM3.9T30.CLC.TSS.B03	9.30	12.50	KM160L	1,27,500
KM3.11T0.CLC.TSS.B03	11	15	KM160L	1,37,500
KM3.15T0.CMC.TSS.B03	15	20	KM180L	1,90,000
KM3.18T5.CNC.TSS.B03	18.5	25	KM200L	2,45,500
KM3.22T0.CNC.TSS.B03	22	30	KM200L	2,68,000
KM3.30T0.CQC.TSS.B03	30	40	KM225M	3,70,000

Terminal Box on Top as standard feature.

Standard Paint Shade: RAL7046 (Tele-Grey: Anti-Corrosive Paint).

*For other mounting arrangements, please get in touch with KOEL.

SQUIRREL CAGE 3-PHASE INDUCTION MOTORS: IE2 - HIGH EFFICIENCY



Voltage	: 415 V +/- 10%	Ambient	: 50°C
Frequency	: 50 Hz +/- 5%	Temp. Rise	: 70°C
Combined Variation	: 10%	Duty	: S1
Insulation Class / Thermal Class	: F/B	Efficiency Class	: IE2 as per 60034-30-1:2014, IS 12615:2018

Method of Cooling: TEFC / IC 411 **Mounting :** IMB3 - Horizontal Foot Mounting* **Altitude :** ≤1000m above MSL

2 Pole / 3000 RPM				
Product Codes	kW	HP	Frame	List Price ₹
KM2.0T18.AEA.B03.TSS	0.18	0.25	KM63	9,900
KM2.0T25.AEA.B03.TSS	0.25	0.33	KM63	10,100
KM2.0T37.AFA.B03.TSS	0.37	0.50	KM71	11,500
KM2.0T55.AFA.B03.TSS	0.55	0.75	KM71	15,000
KM2.0T75.AGA.B03.TSS	0.75	1.00	KM80	15,000
KM2.1T10.AGA.B03.TSS	1.10	1.50	KM80	15,500
KM2.1T50.AHA.B03.TSS	1.50	2.00	KM90S	18,500
KM2.2T20.AHA.B03.TSS	2.20	3.00	KM90L	23,200
KM2.3T70.AIA.B03.TSS	3.70 #	5.00	KM100L	29,800
KM2.4T00.AJA.B03.TSS	4.00 ##	5.50	KM112M	37,000

4 Pole / 1500 RPM				
Product Codes	kW	HP	Frame	List Price ₹
KM2.0T12.BEA.B03.TSS	0.12	0.16	KM63	9,300
KM2.0T18.BEA.B03.TSS	0.18	0.25	KM63	10,500
KM2.0T25.BFA.B03.TSS	0.25	0.33	KM71	10,700
KM2.0T37.BFA.B03.TSS	0.37	0.50	KM71	11,800
KM2.0T55.BGA.B03.TSS	0.55	0.75	KM80	14,400
KM2.0T75.BGA.B03.TSS	0.75	1.00	KM80	14,600
KM2.1T10.BHA.B03.TSS	1.10	1.50	KM90S	18,800
KM2.1T50.BHA.B03.TSS	1.50	2.00	KM90L	21,800
KM2.2T20.BIA.B03.TSS	2.20	3.00	KM100L	26,000
KM2.3T70.BJA.B03.TSS	3.70	5.00	KM112M	34,000
KM2.4T00.BJA.B03.TSS	4.00 #	5.50	KM112M	38,000

6 Pole / 1000 RPM				
Product Codes	kW	HP	Frame	List Price ₹
KM2.0T37.CGA.B03.TSS	0.37	0.50	KM80	19,300
KM2.0T55.CGA.B03.TSS	0.55	0.75	KM80	19,800
KM2.0T75.CHA.B03.TSS	0.75	1.00	KM90S	22,000
KM2.1T10.CHA.B03.TSS	1.10	1.50	KM90L	24,000
KM2.1T50.CIA.B03.TSS	1.50	2.00	KM100L	37,500
KM2.2T20.CJA.B03.TSS	2.20	3.00	KM112M	39,500

Rating suitable for 80 °C temperature rise (by resistance method)
Rating suitable for 95 °C temperature rise (by resistance method)
Terminal Box on Top as standard feature.
Standard Paint Shade: RAL7046 (Tele-Grey: Anti-Corrosive Paint).
*For other mounting arrangements , please get in touch with KOEL.

SQUIRREL CAGE 3-PHASE INDUCTION MOTORS: IE2 - HIGH EFFICIENCY



Voltage	: 415 V +/- 10%	Ambient	: 50°C
Frequency	: 50 Hz +/- 5%	Temp. Rise	: 70°C
Combined Variation	: 10%	Duty	: S1
Insulation Class / Thermal Class	: F/B	Efficiency Class	: IE2 as per 60034-30-1:2014, IS 12615:2018

Method of Cooling: TEFC / IC 411 **Mounting :** IMB3 - Horizontal Foot Mounting* **Altitude :** ≤1000m above MSL

2 Pole / 3000 RPM				
Product Codes	kW	HP	Frame	List Price ₹
KM2.0T75.AGC.B03.TSS	0.75	1.00	KM80	15,000
KM2.1T10.AGC.B03.TSS	1.10	1.50	KM80	16,100
KM2.1T50.AHC.B03.TSS	1.50	2.00	KM90S	18,900
KM2.2T20.AHC.B03.TSS	2.20	3.00	KM90L	23,800
KM2.3T70.AIC.B03.TSS	3.70 #	5.00	KM100L	30,900
KM2.5T50.AKC.B03.TSS	5.50	7.50	KM132S	52,600
KM2.7T50.AKC.B03.TSS	7.50	10.00	KM132S	57,000
KM2.9T30.AKC.B03.TSS	9.30	12.50	KM132S	80,000
KM2.9T30.ALC.B03.TSS	9.30	12.50	KM160M	92,000
KM2.11T0.ALC.B03.TSS	11	15	KM160M	1,01,500
KM2.15T0.ALC.B03.TSS	15	20	KM160M	1,04,500
KM2.18T5.ALC.B03.TSS	18.5	25	KM160L	1,34,000
KM2.22T0.AMC.B03.TSS	22	30	KM180M	1,50,500
KM2.30T0.ANC.B03.TSS	30	40	KM200L	2,25,000
KM2.37T0.ANC.B03.TSS	37	50	KM200L	2,68,500
KM2.45T0.AQC.B03.TSS	45	60	KM225M	3,40,000
KM2.55T0.ARC.B03.TSS	55	75	KM250M	4,70,000
KM2.75T0.ASC.B03.TSS	75	100	KM280S	5,95,000
KM2.90T0.ATC.B03.TSS	90	120	KM280M	6,85,000

4 Pole / 1500 RPM				
Product Codes	kW	HP	Frame	List Price ₹
KM2.0T55.BGC.B03.TSS	0.55	0.75	KM80	14,900
KM2.0T75.BGC.B03.TSS	0.75	1.00	KM80	15,100
KM2.1T10.BHC.B03.TSS	1.10	1.50	KM90S	20,400
KM2.1T50.BHC.B03.TSS	1.50	2.00	KM90L	22,500
KM2.2T20.BIC.B03.TSS	2.20	3.00	KM100L	27,000
KM2.3T70.BJC.B03.TSS	3.70	5.00	KM112M	37,300
KM2.5T50.BKC.B03.TSS	5.50	7.50	KM132S	51,900
KM2.7T50.BKC.B03.TSS	7.50	10.00	KM132M	56,000
KM2.9T30.BKC.B03.TSS	9.30	12.50	KM132M	76,000
KM2.9T30.BLC.B03.TSS	9.30	12.50	KM160M	93,000
KM2.11T0.BLC.B03.TSS	11	15	KM160M	93,500
KM2.15T0.BLC.B03.TSS	15	20	KM160L	1,23,000
KM2.18T5.BMC.B03.TSS	18.5	25	KM180M	1,57,500

Rating suitable for 80 °C temperature rise (by resistance method)
 ## Rating suitable for 95 °C temperature rise (by resistance method)
 Terminal Box on Top as standard feature.
 Standard Paint Shade: RAL7046 (Tele-Grey: Anti-Corrosive Paint).
 *For other mounting arrangements, please get in touch with KOEL.

SQUIRREL CAGE 3-PHASE INDUCTION MOTORS: IE2 - HIGH EFFICIENCY



Voltage	: 415 V +/- 10%	Ambient	: 50°C
Frequency	: 50 Hz +/- 5%	Temp. Rise	: 70°C
Combined Variation	: 10%	Duty	: S1
Insulation Class / Thermal Class	: F/B	Efficiency Class	: IE2 as per 60034-30-1:2014, IS 12615:2018

Method of Cooling: TEFC / IC 411 **Mounting :** IMB3 - Horizontal Foot Mounting* **Altitude :** ≤1000m above MSL

4 Pole / 1500 RPM				
Product Codes	kW	HP	Frame	List Price ₹
KM2.22T0.BMC.B03.TSS	22	30	KM180L	1,72,500
KM2.30T0.BNC.B03.TSS	30	40	KM200L	2,38,000
KM2.37T0.BPC.B03.TSS	37	50	KM225S	2,71,500
KM2.45T0.BQC.B03.TSS	45	60	KM225M	3,22,000
KM2.55T0.BRC.B03.TSS	55	75	KM250M	4,52,500
KM2.75T0.BSC.B03.TSS	75	100	KM280S	5,63,000
KM2.90T0.BTC.B03.TSS	90	120	KM280M	6,55,000

6 Pole / 1000 RPM				
Product Codes	kW	HP	Frame	List Price ₹
KM2.0T75.CHC.B03.TSS	0.75	1.00	KM90S	19,000
KM2.1T10.CHC.B03.TSS	1.10	1.50	KM90L	23,000
KM2.1T50.CIC.B03.TSS	1.50	2.00	KM100L	30,000
KM2.2T20.CJC.B03.TSS	2.20	3.00	KM112M	33,000
KM2.3T70.CKC.B03.TSS	3.70	5.00	KM132S	53,500
KM2.5T50.CKC.B03.TSS	5.50	7.50	KM132M	64,000
KM2.7T50.CLC.B03.TSS	7.50	10.00	KM160M	95,000
KM2.9T30.CLC.B03.TSS	9.30	12.50	KM160L	1,13,000
KM2.11T0.CLC.B03.TSS	11	15	KM160L	1,15,000
KM2.15T0.CMC.B03.TSS	15	20	KM180L	1,52,000
KM2.18T5.CNC.B03.TSS	18.5	25	KM200L	2,07,000
KM2.22T0.CNC.B03.TSS	22	30	KM200L	2,25,000

8 Pole / 750 RPM				
Product Codes	kW	HP	Frame	List Price ₹
KM2.0T37.DHC.B03.TSS	0.37	0.50	KM90S	20,200
KM2.0T55.DHC.B03.TSS	0.55	0.75	KM90L	22,200
KM2.0T75.DIC.B03.TSS	0.75	1.00	KM100L	27,500
KM2.1T10.DIC.B03.TSS	1.1	1.50	KM100L	33,500
KM2.1T50.DJC.B03.TSS	1.5	2.00	KM112M	38,500
KM2.2T20.DKC.B03.TSS	2.2	3.00	KM132S	50,700

Rating suitable for 80 °C temperature rise (by resistance method)
 ## Rating suitable for 95 °C temperature rise (by resistance method)
 Terminal Box on Top as standard feature.
 Standard Paint Shade: RAL7046 (Tele-Grey: Anti-Corrosive Paint).
 *For other mounting arrangements , please get in touch with KOEL.

Special Features :				Cash Extras.
1	Vacuum Pressure Impregnation (VPI) : 63 to 280			5%
2	Mounting : Standard Mounting Arrangement is IMB3-Horizontal Foot Mounting.			
	Frames:			
	KM63 to KM112 (IMB14) Aluminium Body			3% on List Price
	KM63 to KM160L (IMB5, IMB35)			3% on List Price
	KM180 to KM280M (IMB5, IMB35)			5% on List Price
For other mounting arrangements please get in touch with KOEL.				
3	Anti-Corrosive Paint:			Nil
	Note : For KM2 & KM3 Series - IE2 & IE3 motors : Paint Shade - RAL 7046.			
4	Vibration Level			
	Vibration Level (mm/sec.) shall be as per normal class as per IS12075 as per below table.			
	Grade / Frame	KM63 -KM132	KM160-KM280	Nil
	Grade A - mm/sec	1.8	2.8	
5	Thermistors (Without relays) - 3 No. PTC 130			
	IE2: Frames KM80 to KM160			₹ 2,860/-
	IE2: Frames KM180 to KM280			₹ 2,860/-
	IE3: Frames KM132 to KM225			₹ 2,860/-
6	Additional Name plates: (Subject to prior confirmation from KOEL).			₹ 600/-
7	Arrow Sticker Showing Direction of Rotation.			₹ 300/-

Notes:

1) All % Cash extras to be loaded on the List Price.

2) All absolute values are to be added to the Net Price i.e List Price less discount.

Terms & Conditions :

- 1) The Prices mentioned in this Price List are subject to revision without prior notice.
- 2) The Prices mentioned in this Price List are Ex-works/Ex-godown basis and excluding GST and all other taxes and duties, which shall be charged extra as applicable at the time of invoicing.
- 3) Motor outputs are given in kW and HP. However kW is binding and HP is approximate.

SQUIRREL CAGE 3-PHASE INDUCTION MOTORS: IE2 - HIGH EFFICIENCY (Cast Iron)



Voltage	: 415 V +/- 10%	Ambient	: 50°C
Frequency	: 50 Hz +/- 5%	Temp. Rise	: 95°C
Combined Variation	: 10%	Duty	: S1
Insulation Class / Thermal Class	: F/F	Efficiency Class	: IE2 as per 60034-30-1:2014, IS 12615:2018

Method of Cooling: TEFC / IC 411 Mounting : IMB3 - Horizontal Foot Mounting* Altitude : ≤1000m above MSL

2 Pole / 3000 RPM

Product Codes	kW	HP	Frame	List Price ₹
KM2.5T50.AJC.B03.TSN	5.50	7.50	KM112M	40,000
KM2.7T50.AJC.B03.TSN	7.50	10.00	KM112M	41,000
KM2.9T30.AAC.B03.TSN	9.30	12.50	KM132S	80,000
KM2.11T0.AKC.B03.TSN	11	15	KM132M	90,000
KM2.15T0.AKC.B03.TSN	15	20	KM132M	1,00,000
KM2.18T5.ABC.B03.TSN	18.5	25	KM160M	1,40,000
KM2.22T0.ALC.B03.TSN	22	30	KM160L	1,50,000
KM2.30T0.ACC.B03.TSN	30	40	KM180M	2,10,000
KM2.37T0.AMC.B03.TSN	37	50	KM180L	2,60,000
KM2.45T0.ANC.B03.TSN	45	60	KM200L	3,30,000
KM2.55T0.AQC.B03.TSN	55	75	KM225M	3,95,000
KM2.60T0.AQC.B03.TSN	60**	80	KM225M	4,35,000
KM2.67T0.ARC.B03.TSN	67	90	KM250M	4,55,000
KM2.75T0.ARC.B03.TSN	75	100	KM250M	4,70,000
KM2.90T0.ARC.B03.TSN	90	120	KM250M	6,75,000
KM2.93T0.ARC.B03.TSN	93	125	KM250M	7,00,000
KM2.110T.ARC.B03.TSN	110**	150	KM250M	7,45,000

Terminal Box on Top for 112 to 250 frames.
Standard Paint Shade: RAL3001

* For other mounting arrangements , please get in touch with KOEL.

** Rating suitable for 40 °C ambient / 105 °C temperature rise on DOL (by resistance method)

Terms & Conditions :

- 1) The Prices mentioned in this Price List are subject to revision without prior notice.
- 2) The Prices mentioned in this Price List are Ex-works/Ex-godown basis and excluding GST and all other taxes and duties, which shall be charged extra as applicable at the time of invoicing.
- 3) Motor outputs are given in kW and HP. However kW is binding and HP is approximate.



SQUIRREL CAGE 3-PHASE INDUCTION MOTORS: IE3 - COMPRESSOR APPLICATION



Voltage	: 415 V +/- 10%	Ambient	: 50°C
Frequency	: 50 Hz +/- 5%	Temp. Rise	: 95°C
Combined Variation	: 10%	Duty	: S1
Insulation Class / Thermal Class	: F/F	Efficiency Class	: IE3* as per 60034-30-1:2014, IS 12615:2018

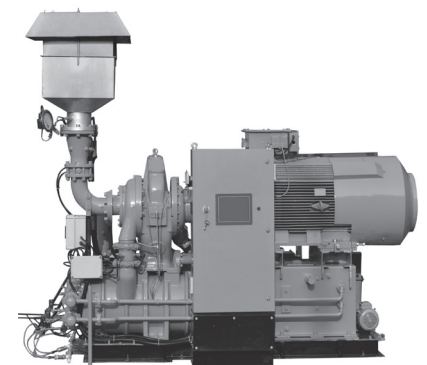
Method of Cooling: TEFC / IC 411	Mounting : IMB3 - Horizontal Foot Mounting	Altitude : ≤1000m above MSL
Service Factor: 1.2	Type of Starting: DOL	Degree of Protection: IP 55

2 Pole / 3000 RPM				
Product Codes	kW	HP	Frame	List Price ₹
KM3.5T50.AAC.TSP.B03	5.50	7.50	KM132S	80,000
KM3.7T50.AAC.TSP.B03	7.50	10.00	KM132S	82,000
KM3.9T30.ABC.TSP.B03	9.30	12.50	KM160M	1,35,000
KM3.11T0.ABC.TSP.B03	11	15	KM160M	1,50,000
KM3.15T0.ABC.TSP.B03	15	20	KM160M	1,60,000
KM3.18T5.ALC.TSP.B03	19	25	KM160L	2,10,000
KM3.22T0.ACC.TSP.B03	22	30	KM180M	2,30,000
KM3.30T0.ANC.TSP.B03	30	40	KM200L	3,55,000
KM3.37T0.ANC.TSP.B03	37	50	KM200L	4,35,000
KM3.45T0.AQC.TSP.B03	45	60	KM225M	5,50,000

4 Pole / 1500 RPM				
Product Codes	kW	HP	Frame	List Price ₹
KM3.5T50.BAC.TSP.B03	5.50	7.50	KM132S	83,500
KM3.7T50.BKC.TSP.B03	7.50	10.00	KM132M	91,000
KM3.9T30.BBC.TSP.B03	9.30	12.50	KM160M	1,45,000
KM3.11T0.BBC.TSP.B03	11	15	KM160M	1,50,000
KM3.15T0.BLC.TSP.B03	15	20	KM160L	1,90,000
KM3.18T5.BCC.TSP.B03	19	25	KM180M	2,35,000
KM3.22T0.BMC.TSP.B03	22	30	KM180L	2,60,000
KM3.30T0.BNC.TSP.B03	30	40	KM200L	3,60,000
KM3.37T0.BPC.TSP.B03	37	50	KM225S	4,40,000
KM3.45T0.BQC.TSP.B03	45	60	KM225M	5,35,000

Optional Features at extra cost -

- Flying leads
- Class H insulation
- Special shaft extension & diameter
- Special mounting dimensions
- Extreme voltage & frequency variations
- Other mountings B5, B35
- Winding accessories like thermistors, Resistance temperature detector (RTD's)
- Roller bearing at DE for reciprocating compressor type with v-belt coupling.
- Service factor up to 1.3 can be offered (after detailed engineering)
- Inverter duty (please get in touch with KOEL)



Terminal box position at TOP
 Standard Paint Shade: RAL7046 (Tele-Grey: Anti-Corrosive Paint).
 * Efficiency as per IS 12615 : 2018 at rated output power & not at SF 1.2

SQUIRREL CAGE 3-PHASE INDUCTION MOTORS: IE2 - COMPRESSOR APPLICATION



Voltage	: 415 V +/- 10%	Ambient	: 50°C
Frequency	: 50 Hz +/- 5%	Temp. Rise	: 95°C
Combined Variation	: 10%	Duty	: S1
Insulation Class / Thermal Class	: F/F	Efficiency Class	: IE2* as per 60034-30-1:2014, IS 12615:2018

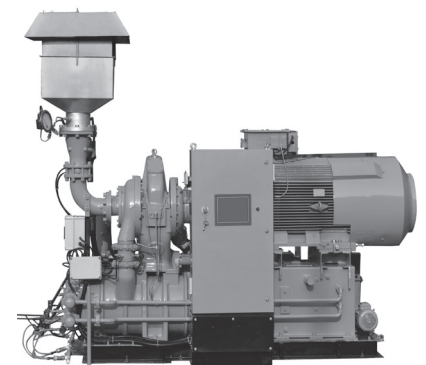
Method of Cooling: TEFC / IC 411 **Mounting :** IMB3 - Horizontal Foot Mounting **Altitude :** ≤1000m above MSL
Service Factor: 1.2 **Type of Starting:** DOL **Degree of Protection:** IP 55

2 Pole / 3000 RPM				
Product Codes	kW	HP	Frame	List Price ₹
KM2.5T50.AAC.TSP.B03	5.50	7.50	KM132S	71,000
KM2.7T50.AAC.TSP.B03	7.50	10.00	KM132S	76,000
KM2.9T30.ABC.TSP.B03	9.30	12.50	KM160M	1,15,000
KM2.11T0.ABC.TSP.B03	11	15	KM160M	1,25,000
KM2.15T0.ABC.TSP.B03	15	20	KM160M	1,40,000
KM2.18T5.ALC.TSP.B03	19	25	KM160L	1,80,000
KM2.22T0.ACC.TSP.B03	22	30	KM180M	2,00,000
KM2.30T0.ANC.TSP.B03	30	40	KM200L	3,30,000
KM2.37T0.ANC.TSP.B03	37	50	KM200L	3,70,000
KM2.45T0.AQC.TSP.B03	45	60	KM225M	4,60,000

4 Pole / 1500 RPM				
Product Codes	kW	HP	Frame	List Price ₹
KM2.5T50.BAC.TSP.B03	5.50	7.50	KM132S	70,000
KM2.7T50.BKC.TSP.B03	7.50	10.00	KM132M	75,000
KM2.9T30.BBC.TSP.B03	9.30	12.50	KM160M	1,26,000
KM2.11T0.BBC.TSP.B03	11	15	KM160M	1,30,000
KM2.15T0.BLC.TSP.B03	15	20	KM160L	1,65,000
KM2.18T5.BCC.TSP.B03	19	25	KM180M	2,15,000
KM2.22T0.BMC.TSP.B03	22	30	KM180L	2,30,000
KM2.30T0.BNC.TSP.B03	30	40	KM200L	3,20,000
KM2.37T0.BPC.TSP.B03	37	50	KM225S	3,65,000
KM2.45T0.BQC.TSP.B03	45	60	KM225M	4,35,000

Optional Features at extra cost -

- Flying leads
- Class H insulation
- Special shaft extension & diameter
- Special mounting dimensions
- Extreme voltage & frequency variations
- Other mountings B5, B35
- Winding accessories like thermistors, Resistance temperature detector (RTD's)
- Roller bearing at DE for reciprocating compressor type with v-belt coupling.
- Service factor up to 1.3 can be offered (after detailed engineering)
- Inverter duty (please get in touch with KOEL)



Terminal box position at TOP
 Standard Paint Shade: RAL7046 (Tele-Grey: Anti-Corrosive Paint).
 * Efficiency as per IS 12615 : 2018 at rated output power & not at SF 1.2